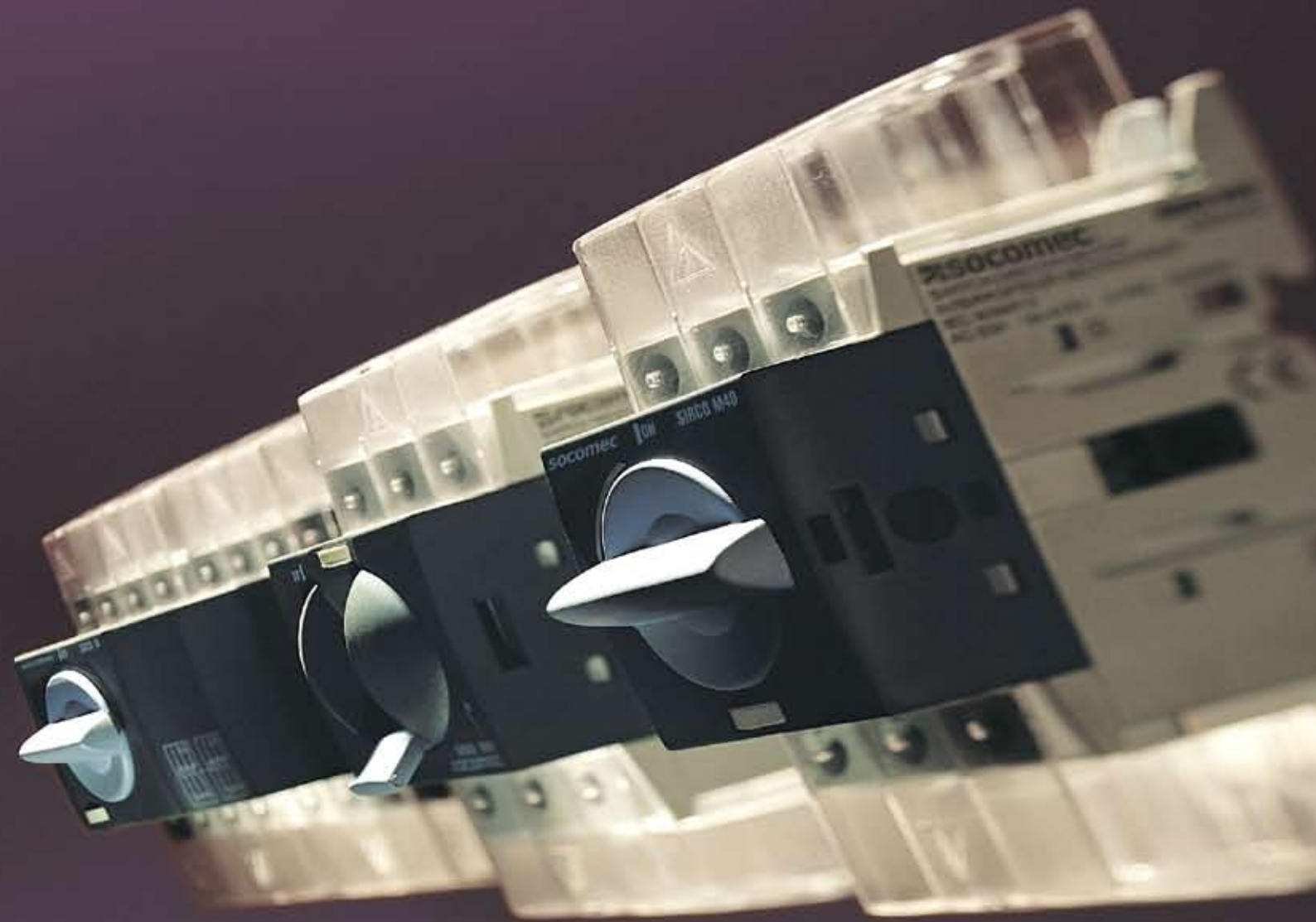


SIRCO M and **MV**

Modular universal switches
from 16 to 160 A

THE VERSATILE SOLUTION



SOCOMEK : Innovators in LV switching solutions

As a world leader in electrical switching and protection systems, SOCOMEC launches a new generation of load break and changeover switches for applications from 16 to 160 A.

SIRCO M and **MV** : Total integration of all electrical functions: isolating, control and changeover switching

SOCOMEK has developed a new technical concept that combines the features of a load break switch and a changeover switch in order to propose a highly innovative modular design.

SIRCO M and **MV** : Full compliance with IEC, EN 60947-3 or UL 508 standards

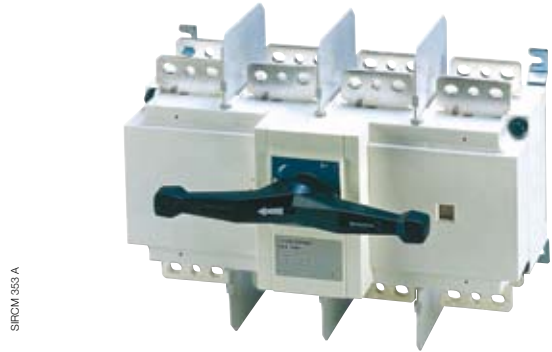
The new **SIRCO M** and **MV** range of load break switches has been designed, qualified and tested according to the criteria defined by the IEC 60947-3 standard.

This process guarantees a high quality level for the product which is fully adapted to arduous operating environments when operating in the field.



ADDITIONAL SOCOMEC SWITCHING SOLUTIONS

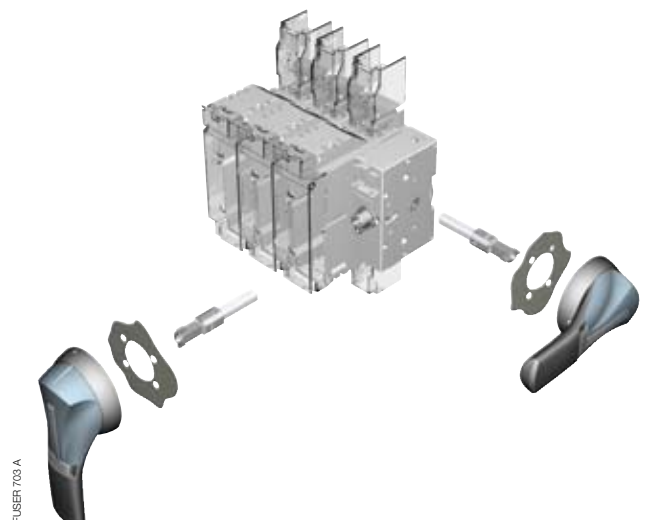
> **SIRCO** load break switches up to 5000 A



> Manual and motorised changeover switch



> Fuse combination switches **FUSERBLOC** - Front or right side operation



SIRCO M Modular universal switches the versatile solution

Use standard components to create a solution that perfectly suits to your application.

SWITCHING & DISCONNECTION

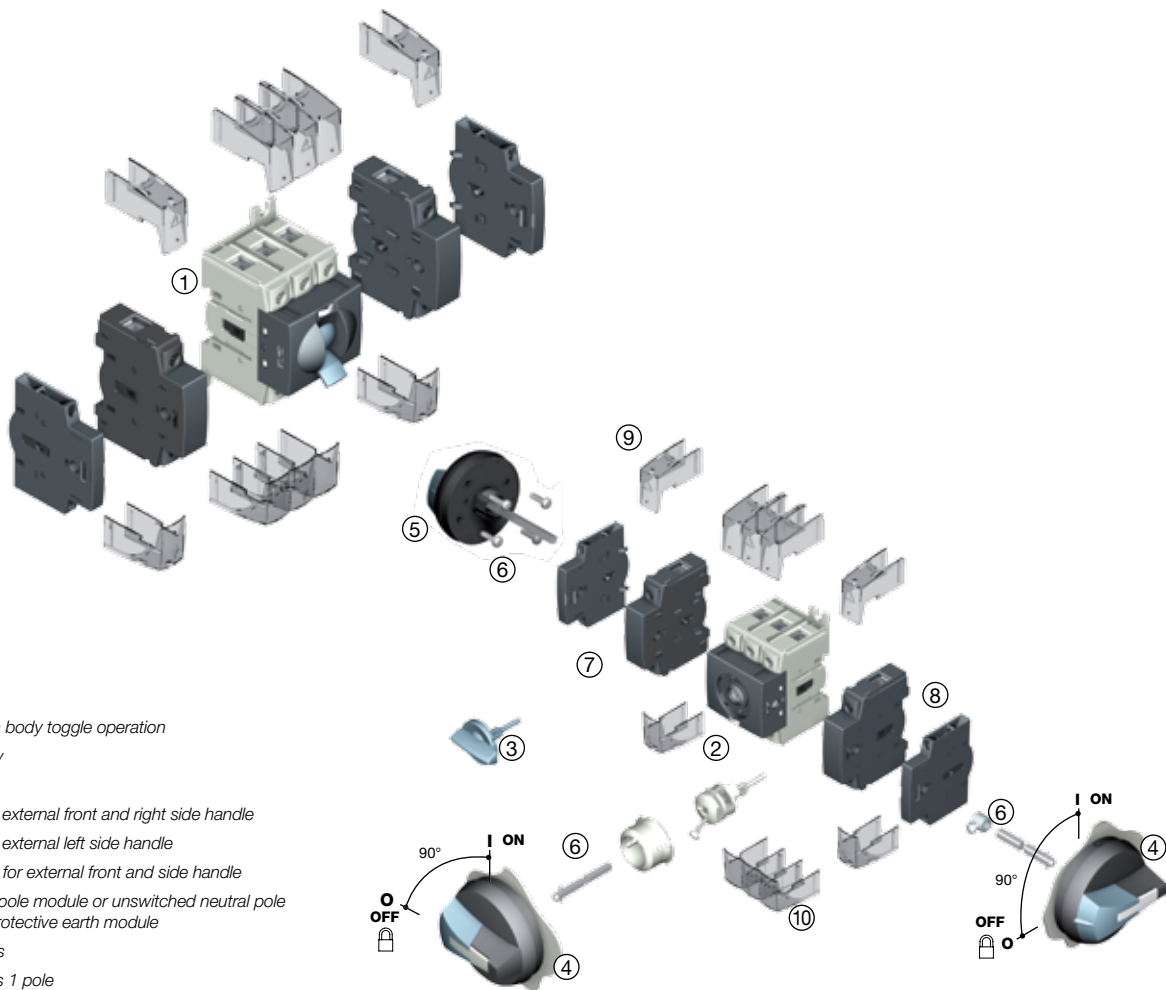
For safe and optimised operation of LV electrical circuits.

CHANGEOVER SWITCHING

Two mechanically interlocked switches.

ADAPTABLE

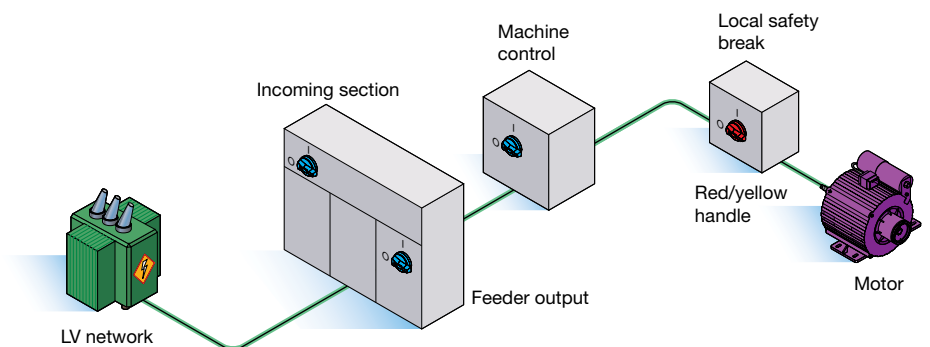
To all motor or distribution load applications.



1. Complete switch body toggle operation
2. Switch body only
3. Direct handle
4. Door interlocked external front and right side handle
5. Door interlocked external left side handle
6. Shaft extensions for external front and side handle
7. Switched fourth pole module or unswitched neutral pole or unswitched protective earth module
8. Auxiliary contacts
9. Terminal shrouds 1 pole
10. Terminal shrouds 3 pole

COMPLETE INTEGRATION WITHIN ALL OF YOUR INSTALLATIONS

- > Distribution panel - Incoming or feeder
- > Panel mounted or DIN modular
- > Machine control
- > Local safety break



AN OPTIMISED BREAKING SYSTEM

> SIRCO M

Contact point technology and front or side operation.



SIRCO 163 A - 164 A



Position 0



Position I

> SIRCO MV

Sliding electrical contacts:

- High dynamic short circuit current withstand,
- High number of operations.



SIRCO 007 A

STANDARDISED ACCESSORIES

> Direct operation

A direct operation to suit all markets.

SIRCO 132 A - 133 A



Rotary handle



Lever operation (toggle)

> External operation

Compact and robust, the rotary handle enables the same switch to be operated either from a front, left or right side.

SIRCO 043 A - 044 A



16 to 80 A



100 to 160 A

> Additional poles

3 additional pole versions are available:

- a switched fourth pole module,
- an unswitched neutral pole,
- a protective earth module (unswitched pole).

SIRCO 072 B



> Auxiliary contacts

The pre-break and signalisation function of these auxiliary contacts enables the anticipation of the switching of the main poles.

SIRCO 075 B



> Terminal shrouds

Single, three and four pole they ensure protection against direct contact.

SIRCO 019 A



NEW ADDITIONAL FEATURES

> Door / Panel mounting kit

For a quick and easy installation.



Overall dimensions reduced



Right or left side mounting



Door mounting

SIRCO 170 A - 157 A - 158 A



Complete protection IP2X

SIRCO 015 A

> Conversion kit

This accessory enables the assembly of two 3 pole switches + additional poles in order to achieve:

- 6 or 8 pole load break switches,
- 3 or 4 pole changeover switches (I - 0 - II) or (I - I+II - II).



SIRCO 082 A - 016 A

SIRCO M and MV

Ten multipolar ratings from 16 to 160 A for LV industrial and commercial applications

SIRCO M 16 to 40 A **SIRCO M** 63 to 80 A **SIRCO M** 100 and 125 A **SIRCO MV** 100 to 160 A

FUNCTIONS

3/4-pole load break switches	•	•	•	•
6/8-pole load break switches	•	•		
3/4-pole changeover switches (I - 0 - II)	•	•		
3/4-pole changeover switches (I - I+II - II)	•	•		

CHARACTERISTICS

OPERATION

Manual	•	•	•	•
Lever (Toggle)	•	•		

DIRECT HANDLE

Front	•	•	•	•
-------	---	---	---	---

DOOR INTERLOCKED EXTERNAL HANDLE

Front	•	•	•	•
Right side	•	•	•	•
Left side	•	•	•	•

BREAKING

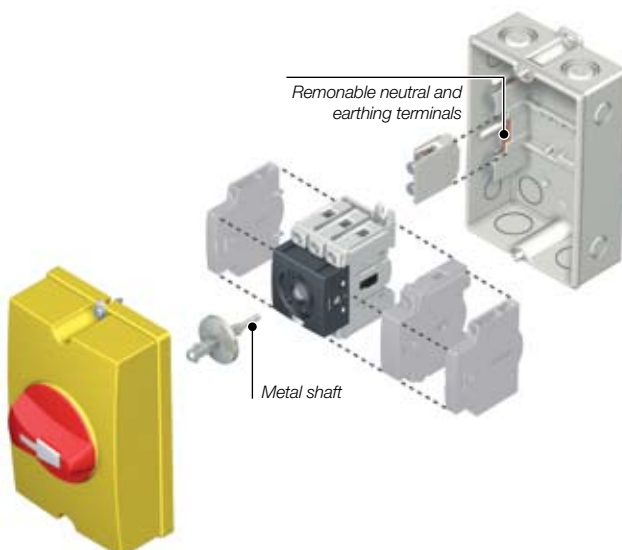
Positive break indication	•	•	•	•
Visible				•

SWITCH BODY

Modular	•	•	•	•
---------	---	---	---	---

Compact enclosure

- Polycarbonate housing.
- IP65.
- 2 colourings:
 - grey lid and black handle,
 - yellow lid and red handle.
- 2 enclosure sizes to facilitate the connection:
 - **16 to 40 A case**
(H x L x P : 162 x 66 x 92 mm) pre-drill holes:
2 on the right and 2 on the left side M16, 2 on the top and 2 on the bottom M20/25, 4 on the backside M20,
 - **63 to 100 A**
(H x L x P : 210 x 125,5 x 92 mm) pre-drill holes:
2 on the right and 2 on the left side M16, 2 on the top and 2 on the bottom M25/32, 2 on the backside M25/32.
- Removable neutral and earthing terminals.
- Lid fixed by sealed screws.
- Sectile mounting lugs.



SIRCO MV

The appropriate product for all enclosed applications

> Mounting inside an enclosure

- DIN rail mounted
- Back plate mounted



> Voltage tap

Voltage sensing and power supply accessory.



> 3 operating directions



Direct front operation

External right side operation

External front or left side operation

Socomec worldwide

IN EUROPE

BELGIUM

SOCOMECE BELGIUM
B - 1190 Brussel
Tel. +32 (0)2 340 02 30 - Fax +32 (0)2 346 28 99
info.scp.be@socomec.com

FRANCE

SOCOMECE
F - 94132 Fontenay-sous-Bois Cedex
Tel. +33 (0)1 45 14 63 30 - Fax +33 (0)1 45 14 63 38
info.scp.fr@socomec.com

GERMANY

SOCOMECE GmbH
D - 76275 Ettlingen
Tel. +49 (0)7243 65 29 2 0 - Fax +49 (0)7243 65 29 2 13
info.scp.de@socomec.com

ITALY

SOCOMECE Elettrotecnica s.r.l.
I - 20098 San Giuliano Milanese (MI)
Tel. +39 02 9849821 - Fax +39 02 98243310
info.scp.it@socomec.com

SPAIN

SOCOMECE ELECTRO, S.L.
E - 08310 Argentona (Barcelona)
Tel. +34 93 741 60 67 - Fax. +34 93 757 49 52
info.scp.es@socomec.com

THE NETHERLANDS

SOCOMECE B.V.
NL - 3992 De Houten
Tel. +31 (0)30 63 71 504 - Fax +31 (0)30 63 72 166
info.scp.nl@socomec.com

THE UNITED KINGDOM

SOCOMECE Ltd
Hitchin Hertfordshire SG4 0TY
Tel. +44 (0)1462 440033 - Fax +44 (0)1462 431143
info.scp.uk@socomec.com

IN ASIA

NORTH EAST ASIA

SOCOMECE CHINA
CN - 200030 P.R.C Shanghai - China
Tel. +86 (0)21 5298 9555 - Fax +86 (0)21 6228 3468
info.scp.cn@socomec.com

SOUTH EAST ASIA & PACIFIC

SOCOMECE SWITCHING AND PROTECTION
UBI TECHPARK - 408569 Singapore
Tel. +65 65 07 94 90 - Fax +65 65 47 86 93
info.scp.sg@socomec.com

SOUTH ASIA

SOCOMECE INDIA
122001 Gurgaon, Haryana - India
Tel. +91 124 4562 700 - Fax +91 124 4562 738
info.scp.in@socomec.com

IN MIDDLE EAST

UNITED ARAB EMIRATES

SOCOMECE Middle East
Dubai, U.A.E.
Tel. +971 (0) 4 29 98 441 - Fax +971 (0)4 29 98 449
info.scp.ae@socomec.com

IN NORTH AMERICA

USA, CANADA & MEXICO

SOCOMECE Inc
Cambridge, MA 02142 USA
Tel. +1 617 245 0447 - Fax +1 617 245 0437
info.scp.us@socomec.com

HEAD OFFICE

SOCOMECE GROUP

S.A. SOCOMECE capital 11 303 400 €
R.C.S. Strasbourg B 548 500 149
B.P. 60010 - 1, rue de Westhouse
F-67235 Benfeld Cedex - FRANCE

INTERNATIONAL SALES DEPARTMENT

SOCOMECE

1, rue de Westhouse - B.P. 60010
F - 67235 Benfeld Cedex - FRANCE
Tel. +33 (0)3 88 57 41 41 - Fax +33 (0)3 88 74 08 00
info.scp.isd@socomec.com

www.socomec.com

Non contractual document. © 2011, Socomec SA. All rights reserved.

